



Instructions for Pro Magnum Feeder Kit

THANK YOU for your purchase of the Pro Magnum Feeder Kit. Please read this sheet before operating the unit. If you should have any questions about this product or any other Moultrie product, please contact us using the information on the back of this sheet. To help us to better serve you, please complete and mail the enclosed Warranty Card.

I DRILLING YOUR DRUM/BARREL/BUCKET

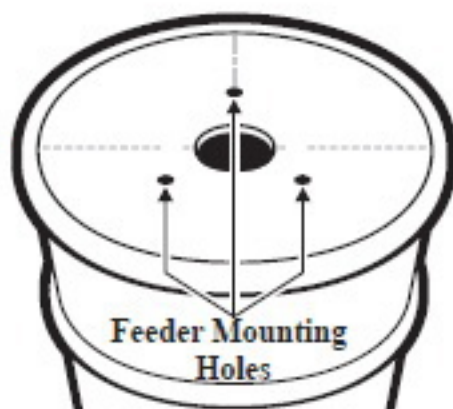
NOTE: If you purchased a Moultrie Drum, go to II

Pro Magnum will mount to the bottom of any drum or bucket



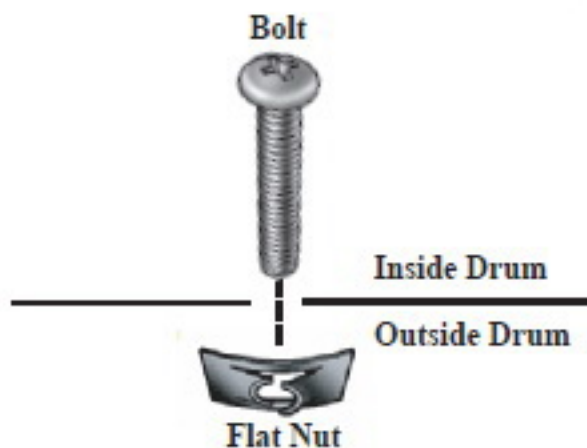
CAUTION: WEAR EYE PROTECTION

- 1 Turn drum over, measure and mark the center of the bottom.
- 2 Center the provided template on the bottom of the drum and secure with tape. Drill three 5/16" Feeder Leg Holes.
- 3 Using a Hole Saw, drill a 2-1/4" hole in the center of the bottom of your drum.

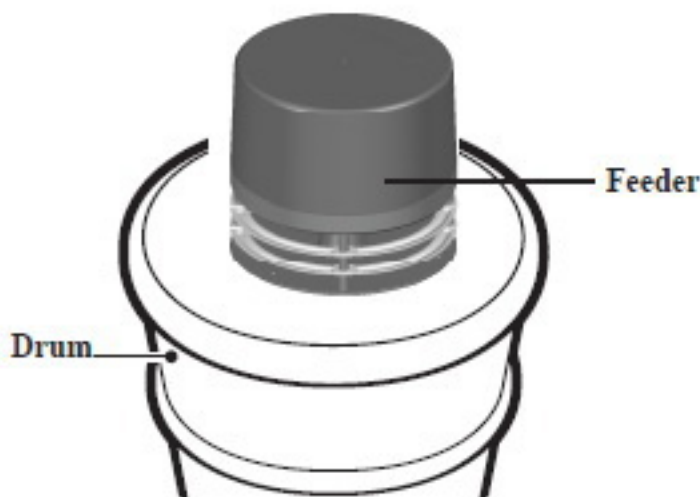


II MOUNTING THE FEEDER

- 1 From the inside of the drum, slide the three provided Bolts through the holes on the bottom and into the provided Flat Nuts. From the inside, using a Phillips head screwdriver, turn the Bolt clockwise until the Flat Nut is tight against the bottom.



- 2 Slide feeder over three Bolts that are sticking firmly through the bottom of the drum. Attach Feeder to the Drum using the three provided Wing-Nuts.



III INSTALLING BATTERIES

CAUTION: WEAR EYE PROTECTION

Your Pro Mag Feeder is capable of using either one or two 12 volt batteries. If you are feeding twice per day for 10 seconds, one battery will operate your feeder for approximately six months, and with 2 batteries installed, you can achieve up to one year of battery life. If you decide to use only one battery, you can install it in either side of the battery holder.



One or two 12V batteries can be installed

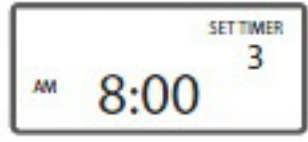
Remove bottom and install one or two 12-Volt Moultrie rechargeable batteries by attaching the Red Alligator Clip to the positive terminal (+) and the Black Alligator Clip to the negative (-) terminal.

IV CONFIGURING AND TESTING FEEDER

Your Pro Mag will feed up to six times per day and has been factory set to feed at 7:00am and 6:00pm for six seconds. To change the factory settings or add additional feed times, follow the instructions below. The Battery Level is displayed every seven seconds. It is recommended that the battery be replaced when the %BATTERY reading is 25% or below.

SET TIME OF DAY: Press the UP or DOWN button until the correct time of day appears. Press and release button to single-step through the minutes or hold down to advance quickly. The feeder will not run while buttons are being pressed and waits 10 seconds from the last button press before it is activated. The feeder is activated when the display alternates between the CURRENT TIME and %BATTERY.

SET FEED TIMES: Press the SET button until the correct Timer Number appears in the upper right hand corner as shown. Press the UP or DOWN button to set the Feed Time.

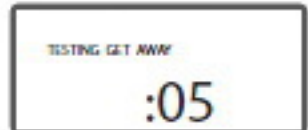


SET RUN DURATION: Press the SET button again to set the RUN-TIME SECONDS which can range from zero to twenty seconds. Adjust RUN-TIME SECONDS using the chart below. Set the RUN-TIME SECONDS to zero to disable the specific timer.



RUN TIME (sec.)	4	6	8	10	12	14	16	18
Approx. feed dispensed (lbs.)	.75	1	1.5	2	2.5	3	3.5	4

TEST TIMER: To test the Timer, PRESS AND HOLD the SET button while the RUN-TIME SECONDS are displayed. Release the button and get away from the feeder when the message "TESTING GET AWAY" appears on the display. The display will countdown five seconds before activating the motor for the number of RUN-TIME SECONDS programmed. The test feature is useful for assessing the amount of feed to dispense.



NOTE: This equipment has been tested and found to comply with the limits of Part 15 of the FCC Rules. These limits are designed to provide reasonable protection against harmful interference in a residential installation. This equipment generates, uses and can radiate radio frequency energy and, if not installed and used in accordance with the instructions, may cause harmful interference to radio communications. However, there is no guarantee that interference will not occur in a particular installation. If this equipment does cause harmful interference to radio or television reception, which can be determined by turning the equipment off and on, the user is encouraged to try to correct the interference by one or more of the following measures:

- Reorient or relocate the receiving antenna.
- Increase the separation between the equipment and receiver.
- Connect the equipment into an outlet on a circuit different from that to which the receiver is connected.
- Consult the dealer or an experienced radio/TV technician for help.



Our Service Department will gladly answer any questions you have. Call 205-664-6700 or 800-653-3334, Monday - Friday, 8:00 AM to 5:00 PM CST. www.moultriefeeders.com